

# MICRO-D HERMETIC CONNECTOR FEEDTHROUGH



## PLUG-AND-PLAY DESIGN WITH REVERSIBLE MOUNTING

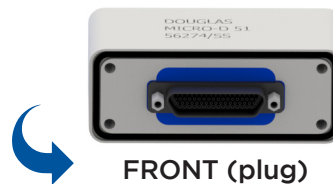
### FEATURES

- Plug-and-play with two connectors in a hermetic package
- Hermetically sealed and 100% tested
- Reversible design to increase mounting options

### APPLICATIONS

- Vacuum systems
- Test stands
- Mil/Aero

## MICRO-D HERMETIC CONNECTOR FEEDTHROUGHS



Mount either side in vacuum.

As more instrumentation is added for test and measurement, the need for miniaturization has increased. Micro-D connectors have reduced the footprint of the electrical connection to accommodate the market demand. Douglas Electrical Components manufactures a standard product line of hermetic Micro-D connector feedthroughs for a variety of applications. These feedthroughs create a plug-and-play electrical connection for vacuum systems. With Micro-D connectors on both sides of the feedthrough, engineers and system integrators save time and effort, eliminating the need for soldering miniature connector wires or solder cups.

Manufactured with a stainless-steel or aluminum housing, our hermetic Micro-D connector feedthrough line seals with a standard Viton+ O-ring; the housing is designed with O-ring grooves on either side of the housing to be fully reversible and simplify installation. The feedthrough is designed with electroless nickel plated aluminum shell connectors. The connectors are pinned straight through the housing, such that Pin 1 on the vacuum connector is fed to Socket 1 on the atmospheric side. Standard leak rate is  $< 1 \times 10^{-8}$  cc He/sec with higher performance available. All standard Micro-D pin counts and connectors are available.

### # OF POSITIONS

9	15	21	25
31	37	51	100

### QUALITY

- ISO9001 / 140001
- RoHS / REACH compliant
- $< 1 \times 10^{-8}$  cc He/sec, standard

### LEAD TIME

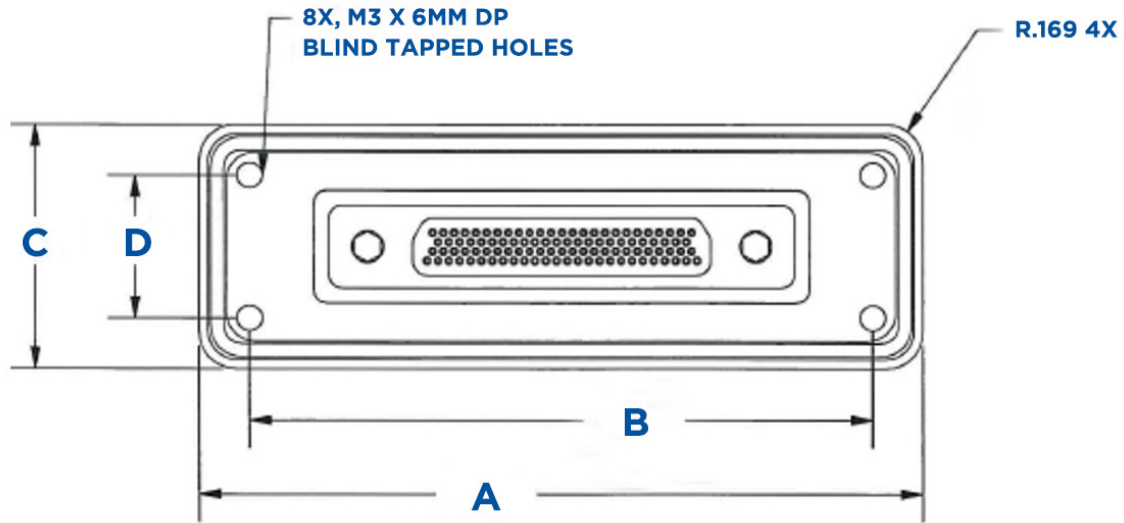
#### 4-6 WEEKS

AAO (After Acceptance of Order)  
*contact for expedited service*

## SPECIFICATIONS

<b>Housing material</b>	Stainless-steel or aluminum
<b>Mounting bolt holes</b>	4x M3.0x5 0.335 full thread depth ( <i>bolts not included</i> )
<b>Connector material</b>	Electroless nickel plated aluminum shell
<b>Connector feedthrough configuration</b>	Plug-to-Receptacle; both connector sides can be mounted in vacuum environment
<b>Feedthrough connection</b>	Straight-through design; Pin 1 (vacuum) to Socket 1 (atmosphere), standard
<b>Leak rate</b>	$< 1 \times 10^{-9}$ cc He/sec. Contact factory for more options.
<b>Operating temperature</b>	-40°F to 225°F (-40°C to 107°C)
<b>Current rating</b>	3A per contact in air
<b>Voltage resistance</b>	600 VAC in air

## DIMENSIONAL DATA



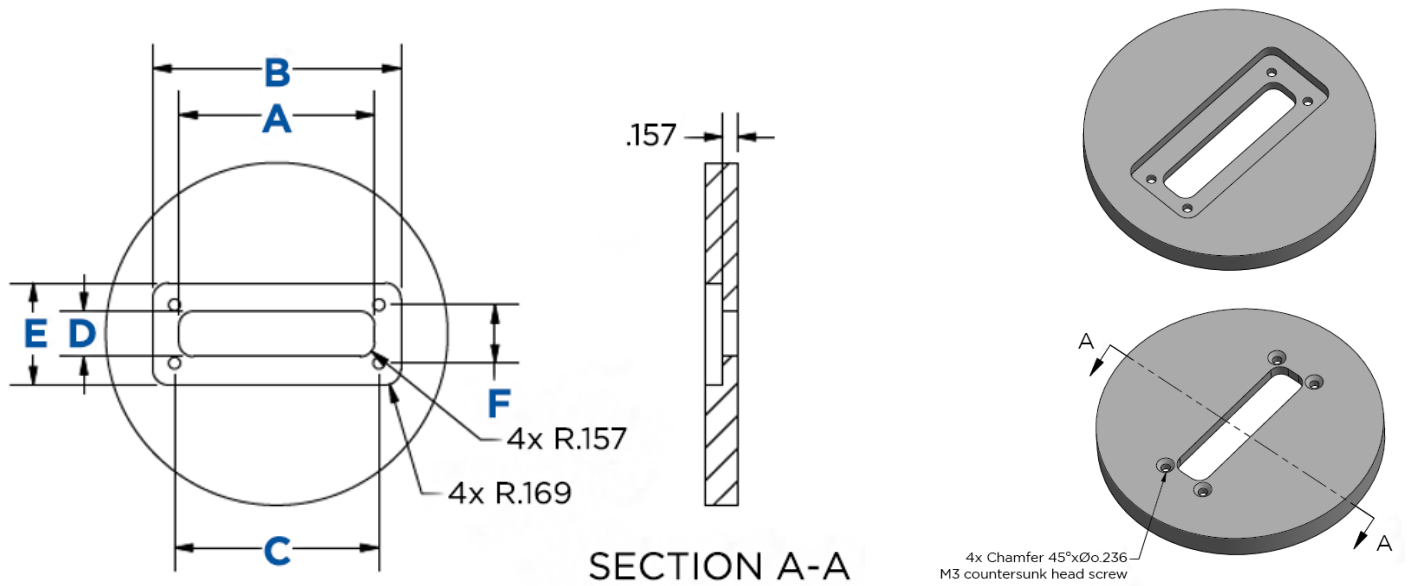
Housing Size (dimensions: inches)	A	B	C	D
1	2.198	1.719	1.139	0.663
2	2.196	1.718	1.139	0.660
3	2.654	2.219	1.066	0.631
4	3.361	2.892	1.135	0.665

Dimensions are in inches; tolerance on angle  $\pm 1^\circ$ ; 2PL  $\pm 0.010$

## PANEL CUTOUT GUIDELINE

Micro-D Panel Cutout (dimensions: inches)	A	B	C	D	E	F
1	1.437	2.238	1.719	0.492	1.177	0.663
2	1.587	2.236	1.718	0.492	1.177	0.660
3	2.126	2.693	2.219	0.492	1.106	0.631
4	2.776	3.402	2.892	0.492	1.173	0.665

Dimensions are in inches; tolerance on angle  $\pm 1^\circ$ ; 2PL  $\pm 0.010$



## ORDERING INFORMATION

Douglas Electrical Part Number	Pin Count	Housing Material	Housing Size
56268/SS	9	Stainless Steel	1
56268/AL	9	Aluminum	1
56269/SS	15	Stainless Steel	2
56269/AL	15	Aluminum	2
56270/SS	21	Stainless Steel	2
56270/AL	21	Aluminum	2
56271/SS	25	Stainless Steel	2
56271/AL	25	Aluminum	2
56272/SS	31	Stainless Steel	2
56272/AL	31	Aluminum	2
56273/SS	37	Stainless Steel	2
56273/AL	37	Aluminum	2
56274/SS	51	Stainless Steel	3
56274/AL	51	Aluminum	3
56275/SS	100	Stainless Steel	4
56275/AL	100	Aluminum	4

\*Other shell sizes may be available with varying pin counts for greater interchangeability. Contact factory.

# CONTACT DOUGLAS ELECTRICAL COMPONENTS TO REQUEST A QUOTE FOR YOUR STANDARD OR CUSTOM MICRO-D HERMETIC CONNECTOR OR A 3D MODEL.



## To Order

You may place an order directly with our Customer Service staff at 973.627.8230.

## Technical Questions or Design Assistance

Please call our Sales Engineering Department 973.627.8230.

## Standard Terms and Conditions

**Domestic shipments:** All products are shipped F.O.B. Randolph, NJ. Standard payment terms are Net 30. Prices and specifications are subject to change without notice.

**Foreign shipments:** All terms and conditions will be negotiated at time of order placement.

## Note to Purchaser

While we believe all statements, representations, and recommendations are correct and reliable, we cannot guarantee accuracy or completeness. It is the user's responsibility to determine and confirm suitability for use. All sales of Douglas Electrical Components' products are subject to our Standard Terms and Conditions. A copy of our

Standard Terms and Conditions may be obtained by calling Customer Service at 973.627.8230. Douglas Electrical will provide Special Certificates of Compliance, Test Reports, and certificates of origin but only if they are requested at the time of order.

## Warranty

All products are warranted to be free of defects in materials and workmanship for a period of twelve months from date of shipment. Our liability, unless explicitly changed by us, is strictly limited to the repair or replacement (at our option) of defective parts. Any defective parts must be returned to us to receive credit or replacement. Returned product must be accompanied by an RMA number. RMA numbers may be obtained by calling our Sales Administration Office at 973.627.8230.

## Errors

While we believe that all information in this catalog is accurate and correct, we do not take responsibility for typographical errors.

+Viton is a trademark of The Chemours Company

**Douglas Electrical Components, Inc.,  
5 Middlebury Blvd., Randolph, NJ 07869**

**Ph: +1 (973) 627-8230**

**E: [contactdeco@douglaselectrical.com](mailto:contactdeco@douglaselectrical.com)**

**W: [douglaselectrical.com](http://douglaselectrical.com)**